

Pocket Power Station - 200W



Product Code: **FSPPS2**

Barcode: **6002844067007**



- Shockproof Casing.
- Charged by solar panels, mains power or DC battery power.
- It delivers 150W for 2 hours or 50W for 6 hours.

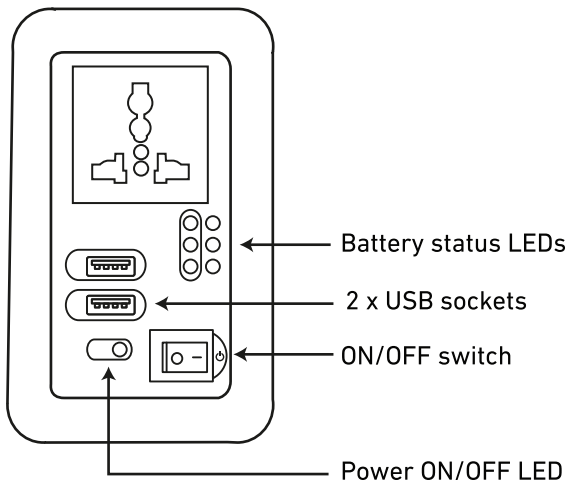
TECHNICAL INFORMATION

Specifications

Colour	Orange Body & Grey Shock Absorbers
Output Power	200W
Rated Voltage	AC 230V or 110V Versions
Operating Frequency	50Hz/60Hz
Battery Size	2 x 150Wh
Max Input Current	10 Amps
Charger Connection Type	DC Jack
Certificates	CE/IEC/ROSH/SAA

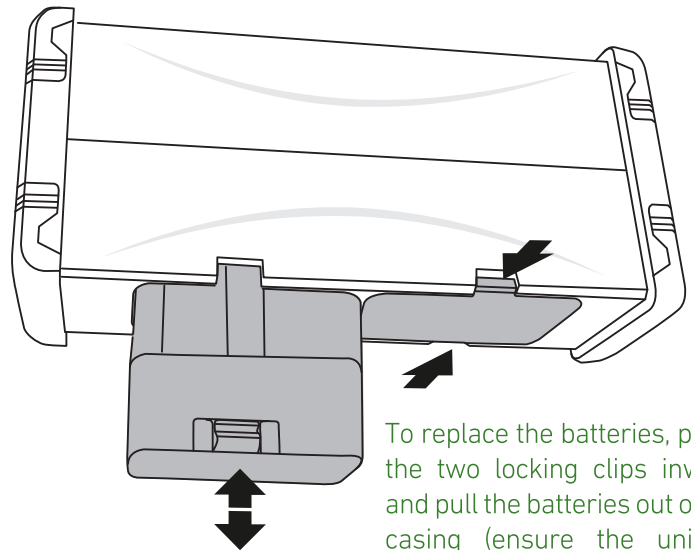
Pocket Power Station - 200W

The Pocket Power Station is capable of running devices in those environments where mains power is non-existent or being fitted to those power systems that might be vulnerable to power outages as a back-up or uninterrupted power supply.




THE PACKAGE CONTENT

- 1 x Pocket Power Station - 200W
- 1 x Black carry bag



To replace the batteries, press the two locking clips inward and pull the batteries out of the casing (ensure the unit is switched off before doing this).

PRODUCT DIMENSIONS



Height (mm)	Length (mm)	Width (mm)	Weight (kg)
300	130	75	2.2