

3000W Pure Sine Wave Inverter

48VDC to 230VAC



Product Code: FBI3000P
Barcode: 6002844062668



- Can add own battery charger to suit batteries.
- Reliable, proven design.
- Continuous operation.
- High power, heavy duty.
- Remote ON/OFF switch.
- AC input.
- Transfer switch (UPS function).
- Utility priority mode.
- Battery priority mode.

PRODUCT DESCRIPTION

This inverter converts DC power from a battery into 230 VAC "true pure sine wave" power. 3000 Watts of continuous output power and a compact design, makes this unit ideal for running any of the following: TVs, stereos, laptops, PCs, chargers and many other home appliances as well as sensitive electronics or appliances with motors in them.

APPLIANCE POWER CONSUMPTION GUIDE

	300Watt	400Watt	500Watt	600Watt	800Watt	1000Watt	1500Watt
Cellphone/Camcorder charger: 10Watt	●	●	●	●	●	●	●
Computer/Printer/Fax: 150Watt	●	●	●	●	●	●	●
12" Three speed fan: 10Watt	●	●	●	●	●	●	●
20" TV/DVD: 300Watt	●	●	●	●	●	●	●
Home stereo: 350Watt		●	●	●	●	●	●
Fridge/Freezer: 350Watt		●	●	●	●	●	●
Electric garden tools: 475Watt			●	●	●	●	●
Portable vacuum: 525Watt				●	●	●	●
Coffee maker: 600Watt				●	●	●	●
Reciprocating saw: 720Watt					●	●	●
Mini microwave oven: 1000Watt						●	●
Full size microwave oven: 1400Watt							●

FBI3000P

TECHNICAL INFORMATION

FEATURES

- Inverter output wave form: Pure sine wave
- LED indicators showing power and fault status
- Wire clamp terminals
- DC/AC Isolated
- Pre-slotted mounting plate
- Over-voltage shut down
- Low-voltage alarm
- Low-voltage shut down
- Over-temperature shut down
- Output short-circuit protection
- DC reverse polarity protection by fuse
- Cooling: Thermal fan
- Utility bypass priority mode
- Inverter priority mode

SPECIFICATIONS

Inverter Input

DC voltage: 24V
Max. amps: 67A
Voltage range: 43.2VDC - 64VDC
No load current draw: < 0.7A
Efficiency: ≥ 94% at rated load
DC connector: Wire clamp terminals
DC 5 wire clamp terminals: 25 -50mm² cables

Inverter Output

AC Voltage: 230V ±3% 13 amps max
Continuous power: 3000W
Surge power: 4500W
Waveform: Pure sine wave
Frequency: 50Hz / 60Hz
AC Regulation: 5%

Protection

Low voltage alarm
Low voltage shut down
Over load: Shut off output
Over voltage Shut down
Over temperature shut down
Fuses: Short circuit



THE PACKAGE CONTAINS



- 1x Power inverter
- 1x Instruction manual

PACKAGE DIMENSIONS



Height (mm)	Depth (mm)	Width (mm)	Weight (kg)	QTY
235	335	615	7.6	1

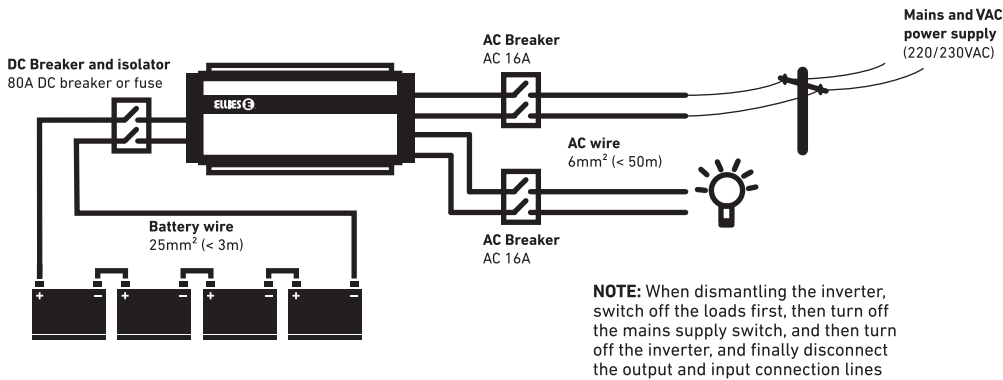
3000W Pure Sine Wave Inverter

48VDC to 230VAC



Product Code: FBI3000P
Barcode: 6002844062668

Schematic diagram of the system connection:



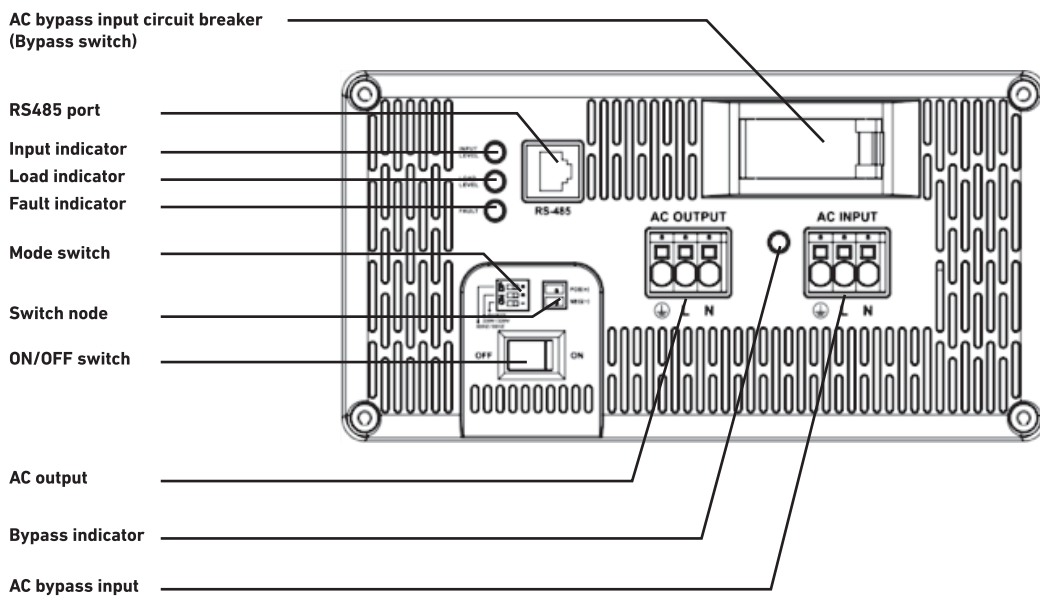
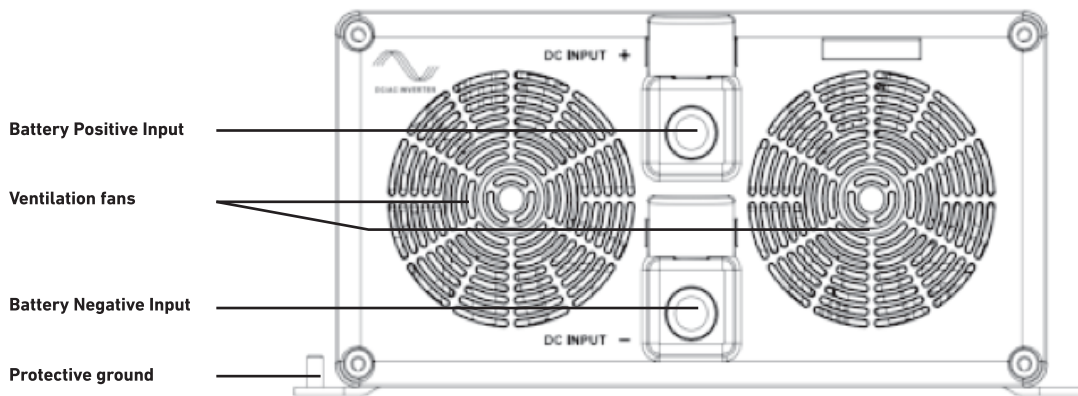
CONNECTING PROCEDURE:

1. When the inverter is OFF, connect the battery and load according to the above picture.
2. After the connection of the Mains in/bypass is completed, turn on the external bypass switch. If the indicator is normally lit and green, it means that the connection is normal.
3. Turn on the inverter first. Two seconds later, turn on the bypass switch.

DISCONNECTING PROCEDURE:

1. Switch off the loads
2. Turn off the mains supply switch
3. Turn off the inverter
4. Disconnect the output and input connection lines

Inverter functions



NOTE:

- 1) It is recommended that multi stranded wire with thickness not greater than 6mm² shall be used on the "AC OUTPUT" according to the requirement of the current density 4A/mm²
- 2) When disconnecting any wires, please turn off all AC breakers firstly, then switch off the inverter, then insert a pointed tool into the small hole above the port and pull out the connection wire.