

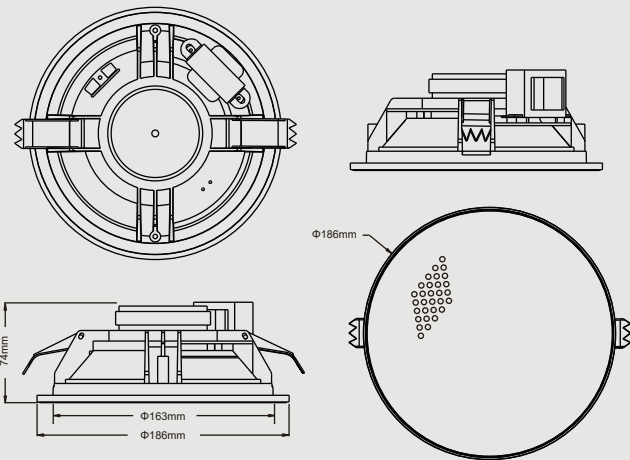
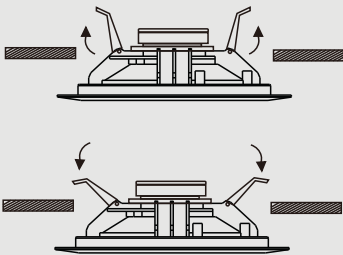


6" - 6W Ceiling Speaker with Transformer



Features and Benefits

- Used with 100V line sound systems
- Supplied with mounting clamps



Product Code: **DSC6T**

Barcode: 6002844045647

Specifications

General Specification

Frequency Response	100-15KHz
SPL	97dB @ 100V/3W
Line Input	100V
Power Taps	3W/6W

Physical Specification

Material	ABS
Grill	Powder Coated Iron Mesh
Component	6"
Finish Component	White
Unit Weight	0.7Kg
Mounting Hole	170 Diameter
Packing Dimension	186 x 74mm

Packaging Dimensions

Depth	74mm	Weight	0.76kg
Height	186mm	Qty	1

Packaging Contents

1 x 6" - 6W Ceiling Speaker