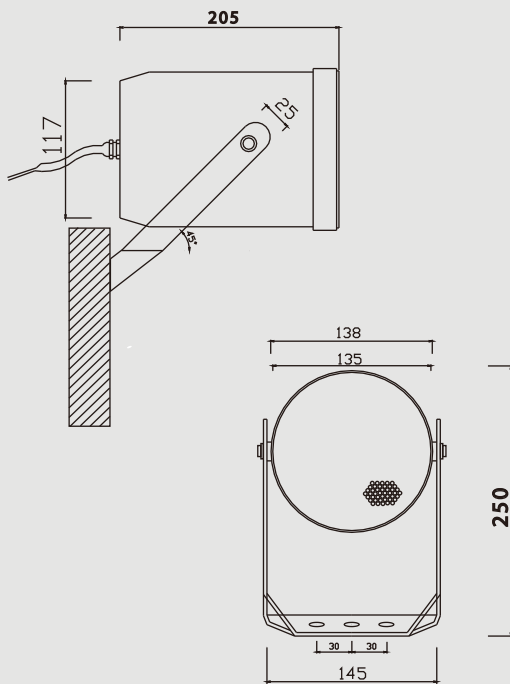




5" White ABS Tube Projection Speaker with Transformer

Features and Benefits

- Used with 100V line sound systems
- Supplied with mounting brackets
- Sealed casing for indoor and outdoor



Packaging Content

1 x 5" White ABS Tube Projection Speaker



Product Code: DSP5T

Barcode: 6002844045784

Specifications

General Specification

Frequency Response	110 ~ 15kHz
SPL	101db @ 100V/10W
Sensitivity	91db
Power Handling	2.5W/5W/10W

Physical Specification

Material	HIPS
Grill	Power Coated Iron Mesh
Component	5"
Finished Colour	White
Unit Weight	1.6kg
Dimensions (Diameter)	138 x 205mm