

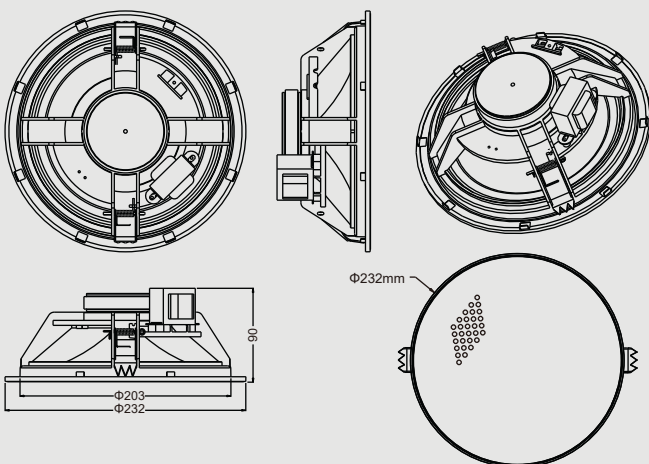
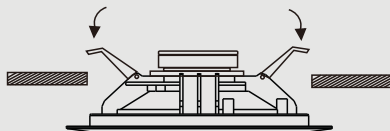
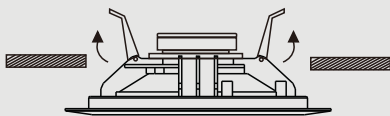


8" - 10W Ceiling Speaker with Transformer



Features and Benefits

- Used with 100V line sound systems
- Supplied with mounting clamps



Product Code: **DSC8T**

Barcode: 6002844045609

Specifications

General Specification

Frequency Response	100-15KHz
SPL	99dB @ 100V/5W
Line Input	100V
Power Taps	2.5W/5W/10W

Physical Specification

Material	ABS
Grill	Powder Coated Iron Mesh
Component	8"
Finish Component	White
Unit Weight	1Kg
Mounting Hole	210mm Diameter
Packing Dimension	232 x 90mm

Packaging Dimensions

Depth	90mm	Weight	1kg
Height	232mm	Qty	1

Packaging Contents

1 x 8" - 10W Ceiling Speaker