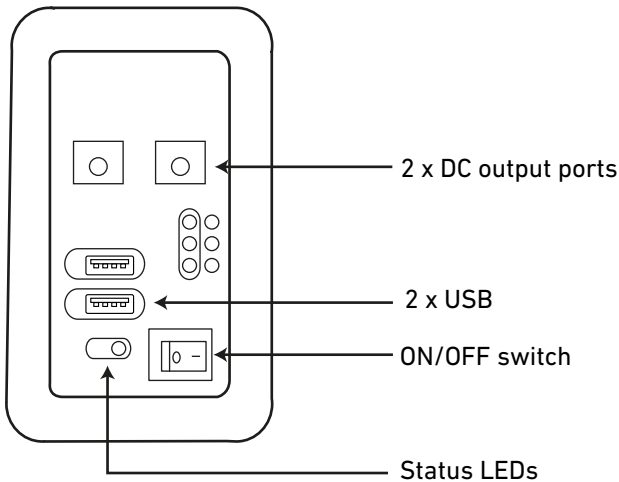




- Portable power storage in shock proof case.
- Re-chargeable battery packs.
- Easy to use DC lights with fitted switch.
- Waterproof cabling.
- Weatherproof solar panels in different sizes with mounting brackets.
- Easy to use.

DC Light Kit - 5W Solar Panel

The Sunsynk Pocket Power Station DC Version, has been constructed to handle sets of DC lighting to take advantage of the units portability and ease of charging.



TECHNICAL INFORMATION

Specifications

Number of LED Lights (Fitted with 3 metres cabling + switch)	2 x 3W LED
Solar Panel (Fitted with 5 metres cabling)	
Solar Panel	1 x 5W
Power Tolerance	+3%
Max Power Voltage	6V
Max Power Current	1.02 Amps
Open Circuit Voltage	7.32V
Short Circuit Current	1.16 Amps
Max System Voltage	250V DC
USB	2 Fitted
Battery Size (Lithium-Ion Cells contained in plastic casing)	
Operating Voltage	10.5-12.6V
Operating Frequency	50Hz
Range	
Efficiency	>90%
Max Current	4.4AH (6 Cell)
Discharge	95%
Wattage	50W
Pocket Power Station	
Colour	Orange body with grey
Shock Absorbers	Yes
Durability	No conductivity, dust explosion, shock or vibration in work place
Warranty	2 Years
Material	Moulded Polycarbonate
Operating Temp	-20°C to +50°C
System Adaptability	Plug-and-Play
Certificates	CE, IEC, ROHS, SAA
Charge Time	8 - 10hrs
Working Time	7 - 8hrs with both lights running

THE PACKAGE CONTENT



- 2 x 3W LED
- 1 x 5W Solar Panel
- 1 x Pocket Power Station
- 1 x 50W Lithium-ion Battery
- 1 x 5m Solar Panel Cabling

PACKAGE DIMENSIONS

	Height (mm)	Length (mm)	Width (mm)	Weight (kg)
Solar Panel	285	195	17	0.6
Pocket Power Station	190	130	175	1.45