

## 2-Way Wired Intercom/Door Chime



Product Code: **BDPO**  
Barcode: 600284400 7164



- Gate opening function
- 2 wire connection between indoor and outdoor unit
- Includes splash cover



## 2-Way Wired Intercom/Door Chime

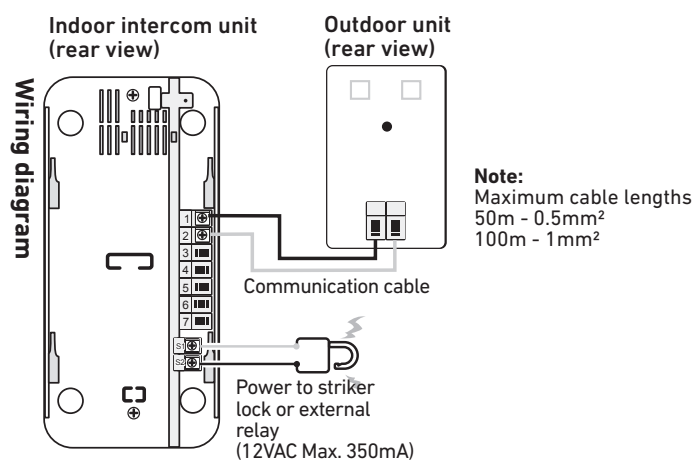
The Ellies Wired Intercom system is designed to offer you both security and convenience. It's gate opening function allows you to open the gate from inside your house.

## TECHNICAL INFORMATION

### Specifications:

Waterproofing Standard:	IP44
-------------------------	------

## Installation Instructions



## PACKAGE CONTENTS

- 1 x Intercom unit
- 1 x Door Chime unit

## PACKAGING DIMENSIONS



Height (mm)	Depth (mm)	Width (mm)	Weight (kg)
0	0	0	0.90