

# Power Bank 8000mAh

## 2.5A USB output



Product Code: BSEUPB4  
Barcode: 6002844065713



- USB1 port 2.5A (Output)  
USB2 port 2.1A (Output)
- Charge 2 devices simultaneously.
- Compatible with most USB devices including tablets and smartphones.
- Micro USB cable included (Compatible with most BlackBerry and Samsung models).
- LED power indicator indicates the strength of battery & charging status.
- Lightweight and compact.

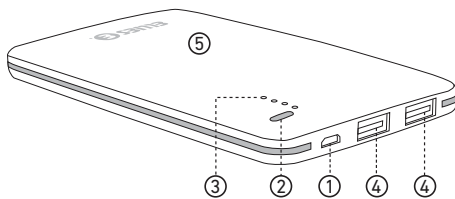
### Power Bank 8000mAh

Pre-charged and ready to use, this Power Bank 8000mAh is able to provide a high capacity charging power to all USB-powered electronic devices such as mobile phones, smart phones, tablets, portable music players, portable video players, Bluetooth headsets, GPS devices, game players and more.



### Basic Diagram

#### Product Overview



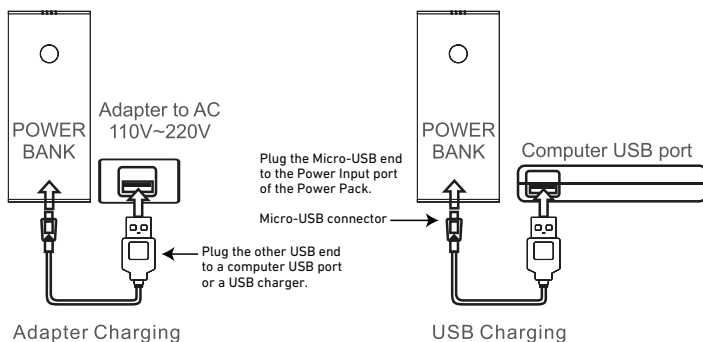
1. Power input port (Micro-USB, 5V DC / 2A)
2. Power button
3. Charging / battery status LED indicator
4. Power output USB port1 (5V DC / 2.5A)  
USB port2 (5V DC / 2.1A)
5. Built-in battery (Lithium-ion 3.7V)

Power button prevents the self-discharge of the cell. Contains automatic shut off mode to avoid power loss when not in use after 35 seconds. Overload & short circuit protected for safe and reliable charging.

#### Charging the Power Bank

**Important:** Before first use, please fully charge this Power Bank for up to 4 hours by using the supplied USB charging cable.

- Connect this Power Bank to your computer with a USB cable (supplied) or USB compatible charger.



### Technical information

#### Specifications:

|  |   |
|--|---|
| <b>Item:</b> Power Bank  | <b>Charging time:</b> 5~6h (approx)   |
| <b>Input:</b> DC5V/2000mA  | <b>Capacity:</b> 8000mAh  |
| <b>Output:</b> Dual Output -<br>USB1 port 2.5A<br>USB2 port 2.1A             | <b>*Remark:</b> The different parameters of Dual USB output, depending on the different models. |
| <b>Application:</b> Suitable for various mobile phones and portable devices. |   |

### THE PACKAGE CONTENTS

- 1 x Charger unit
- 1 x USB cable
- 1 x Instruction Manual

### PACKAGE DIMENSIONS



| Height (mm) | Length (mm) | Width (mm) | Weight (kg) |
|-------------|-------------|------------|-------------|
| 140         | 30          | 100        | 0.12        |