

# PV Solar Panel

## 320W



Product Code: FSP320CS

Barcode:



### PV Solar Panel

The high quality and reliability of Canadian Solar's modules is ensured by 15 years of experience in module manufacturing, well-engineered module design, stringent BOM quality testing, an automated manufacturing process and 100% EL testing.

**10** year warranty  
product warranty on materials and workmanship

**25** year warranty  
linear power output warranty

### Product Certificates\*

IEC 61215 / IEC 61730: VDE / CE / MCS / JET / SII / CEC AU / INMETRO / CQC  
 UL 1703 / IEC 61215 performance: CEC listed (US) / FSEC (US Florida)  
 UL 1703: CSA / IEC 61701 ED2: VDE / IEC 62716: VDE / IEC 60068-2-68: SGS  
 Take-e-way / UNI 9177 Reaction to Fire: Class 1

- Excellent module efficiency of up to 16.79 %.
- Outstanding low irradiance performance: 96.0 %.
- Positive power tolerance of up to 5W.
- High PTC rating of up to 91.97%
- IP67 junction box for long-term weather endurance
- Positive power tolerance of up to 5W
- Heavy snow load up to 5400 Pa, wind load up to 2400 Pa
- Salt mist, ammonia and blown sand resistance, for seaside, farm and desert environments\*

### THE PACKAGE CONTAINS

 1 x 320W Solar Panel

### TECHNICAL INFORMATION

#### Specifications

ELECTRICAL DATA   STC*	
Nominal Max. Power (Pmax)	320 W
Opt. Operating Voltage (Vmp)	36.8 V
Opt. Operating Current (Imp)	8.69 A
Open Circuit Voltage (Voc)	45.3 V
Short Circuit Current (Isc)	9.26 A
Module Efficiency	16.68 %
Operating Temperature	-40°C ~ +85°C
Max. System Voltage	1000 V (IEC) or 1000 V (UL)
Module Fire Performance	TYPE 1 (UL 1703) or CLASS C (IEC 61730)
Max. Series Fuse Rating	15 A
Application Classification	Class A
Power Tolerance	0 ~ + 5 W

\* Under Standard Test Conditions (STC) of irradiance of 1000 W/m<sup>2</sup>, spectrum AM, 1.5 and cell temperature of 25°C.

ELECTRICAL DATA   NOCT*	
Nominal Max. Power (Pmax)	232 W
Opt. Operating Voltage (Vmp)	33.6 V
Opt. Operating Current (Imp)	6.91 A
Open Circuit Voltage (Voc)	41.6 V
Short Circuit Current (Isc)	7.50 A

\* Under Nominal Operating Cell Temperature (NOCT), irradiance of 800 W/m<sup>2</sup>, spectrum AM 1.5, ambient temperature 20°C, wind speed 1 m/s.

MECHANICAL DATA	
Cell Type	Poly-crystalline, 6 inch
Cell Arrangement	72 (6x12)
Front Cover	3.2 mm tempered glass
Frame Material	Anodized aluminium alloy
J-Box	IP67, 3 diodes
Cable	4mm <sup>2</sup> (IEC) or 4mm <sup>2</sup> & 12 AWG 1000 V (UL), 1000 mm (39.4 in) (650 mm (25.6 in) is optional)
Connectors	Friends PV2a (IEC), Friends PV2b (IEC / UL)
Standard	26 pieces, 620 kg (1366.9 lbs)
Packaging	(quantity & weight per pallet)
Module Pieces per Container	624 pieces (40' HQ)

#### PERFORMANCE AT LOW IRRADIANCE

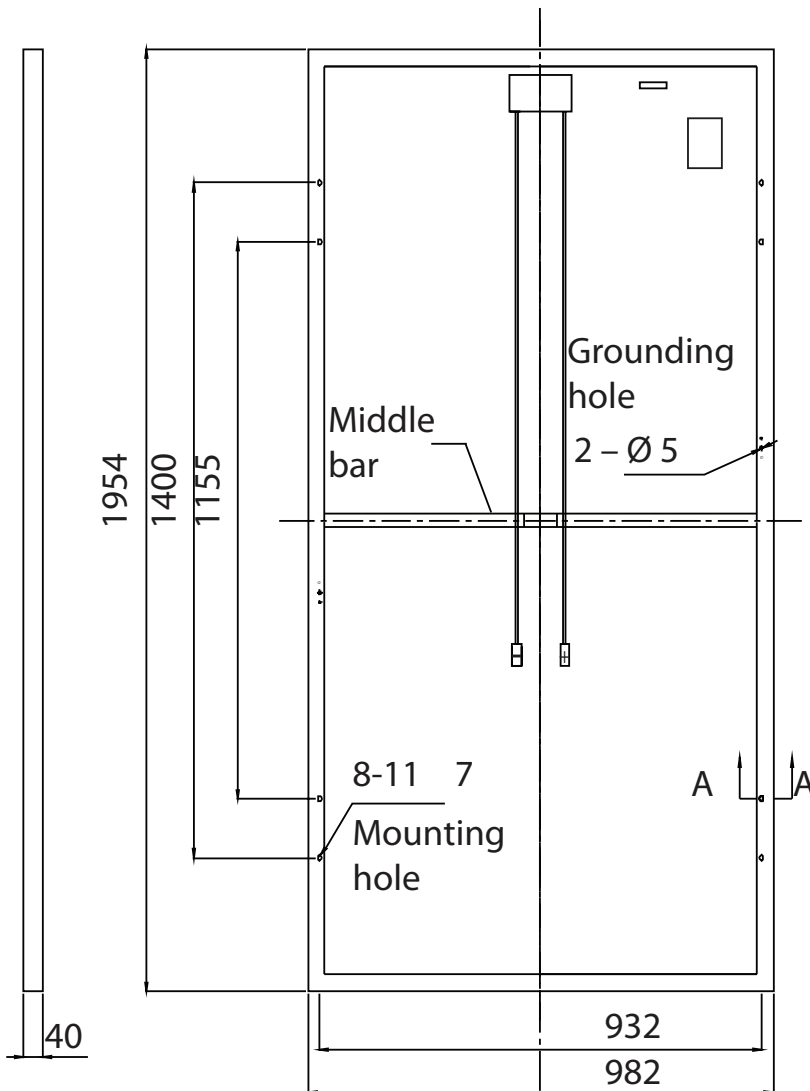
Industry leading performance at low irradiance, average relative efficiency of 96.5 % from an irradiance of 1000 W/m<sup>2</sup> to 200 W/m<sup>2</sup> (AM 1.5, 25°C).

### PACKAGE DIMENSIONS

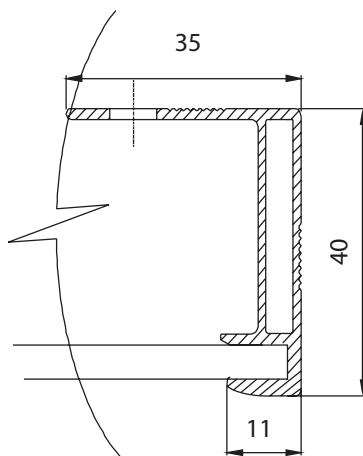


Height (mm)	Length (mm)	Width (mm)	Weight (kg)
1954	40	982	22

**Rear View**



**Frame Cross Section A-A**



**Mounting Hole**

