



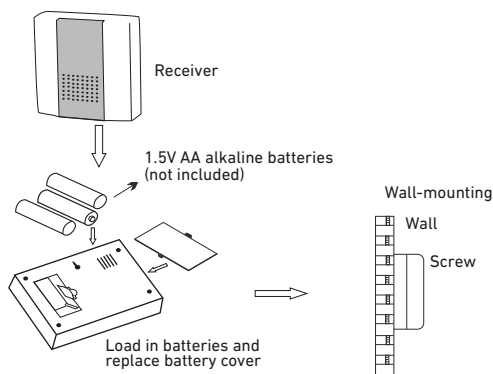
- Interference free operation
  - 25 different sounds
  - 100m signal range (free to air)
  - Easy to Install
  - Completely wireless
- 2 Receivers

## Wireless Door Chime

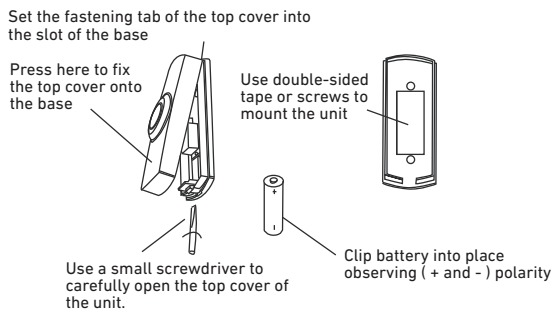
The Ellies Wireless Door Chime's completely wireless design makes it easy to set up and install. It has a free to air range of up to 45m and includes two receivers, meaning that the door chimes and transmitter can be placed apart without affecting functionality. It is also programmable with 25 different chimes, allowing you to customise the chime to suit your lifestyle.

## Installation Instructions

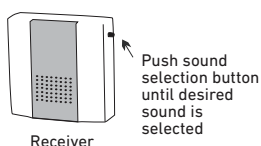
### 1. To install the receiver



### 2. To install the transmitters



### 3. Sound selection



## TECHNICAL INFORMATION

### Specifications:

Number of Tunes:	25
Signal Range:	100m (free to air)
Working Voltage:	4.5V ± 10%
Working Current:	<300mA
Static Current:	<2uA
Volume Sound Level:	>75dB
Batteries (Receiver):	1 x 23A 12V Alkaline battery (included)
Batteries (Transmitter):	2 x 1.5V AA batteries per unit (not included)

## CONTENTS

- 1 x Transmitter
- 1 x 3V Li coin battery (CR2032)
- 2 x Receivers (4 x AA batteries not included)
- 1 x Mounting screws and high tack tape

## PACKAGING DIMENSIONS



Height (mm)	Depth (mm)	Width (mm)	Weight (kg)
198	40	240	0.25