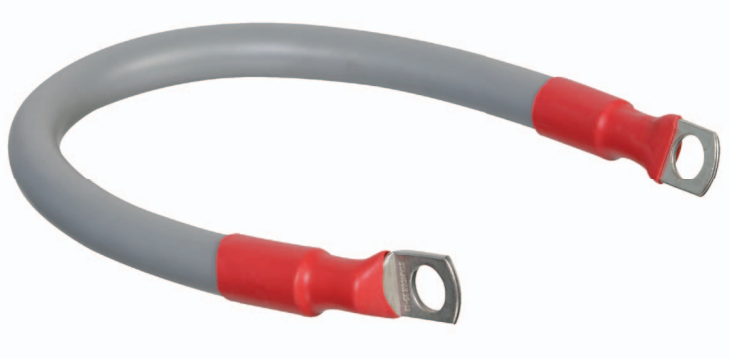


35mm Parellel Battery Link - Positive



Product Code: FSBL35PP
Barcode: 6002844076252

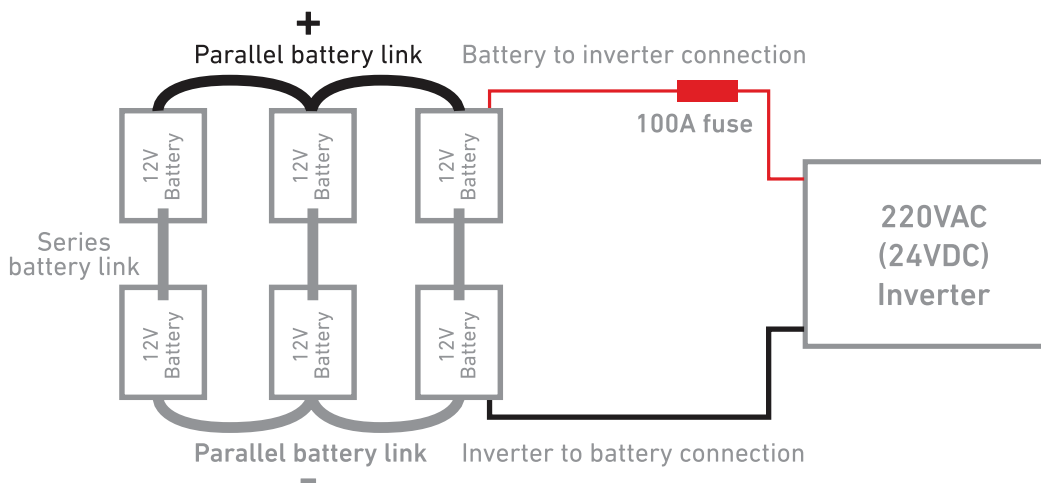


- Use with 12V/1000W
24V/2000W (Ellies 2000 watt MP inverter)
48V/4000W
- Length: 0,35mm

35mm Parellel Battery Link - Positive

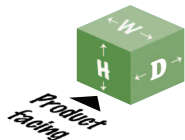
35mm² cable to connect batteries in parallel.

Diagram



Red tip of cable = positive (+)
Black tip of cable = negative (-)

PACKAGE DIMENSIONS



Height (mm)	Depth (mm)	Width (mm)	Weight (kg)
250	130	87	0.22

THE PACKAGE CONTAINS



1 x 35mm Parellel Battery Link - Positive