

# 35mm Parallel Battery Link - Negative



Product Code: FSBL35NP

Barcode: 6002844076269

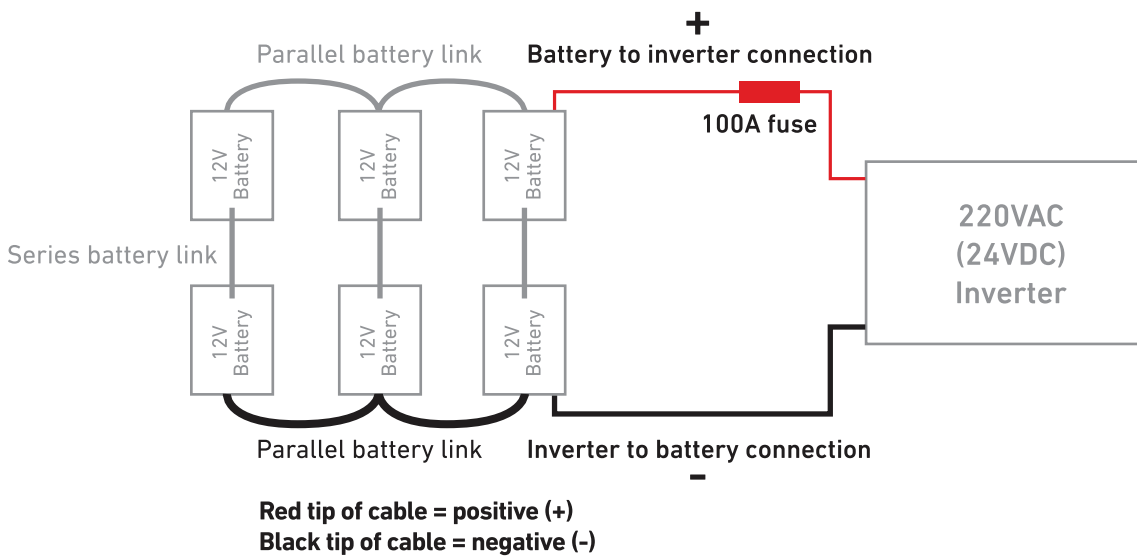


- Length: 0.35m
- Use with 12V/1000W  
24V/2000W (Ellies 2000 watt MP inverter)  
48V/4000W

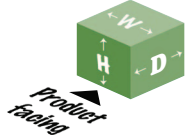
## 35mm Parallel Battery Link - Negative

35mm<sup>2</sup> cable to connect batteries in parallel.

## Diagram



## PACKAGE DIMENSIONS



Height (mm)	Depth (mm)	Width (mm)	Weight (kg)
245	128	80	0.23

## THE PACKAGE CONTAINS



1 x 35mm Parallel Battery Link - Negative