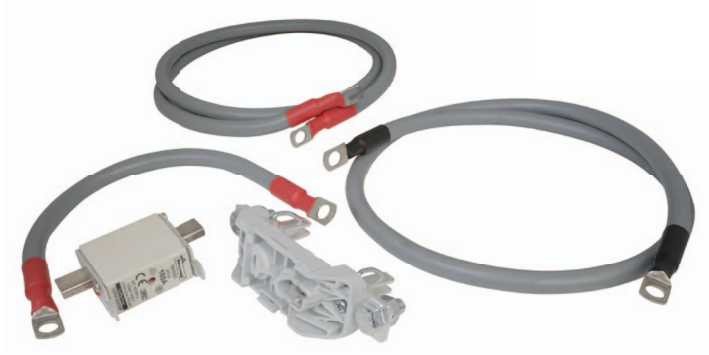


35mm Inverter to Battery Connection Set



Product Code: FSBL35I
Barcode: 6002844076283

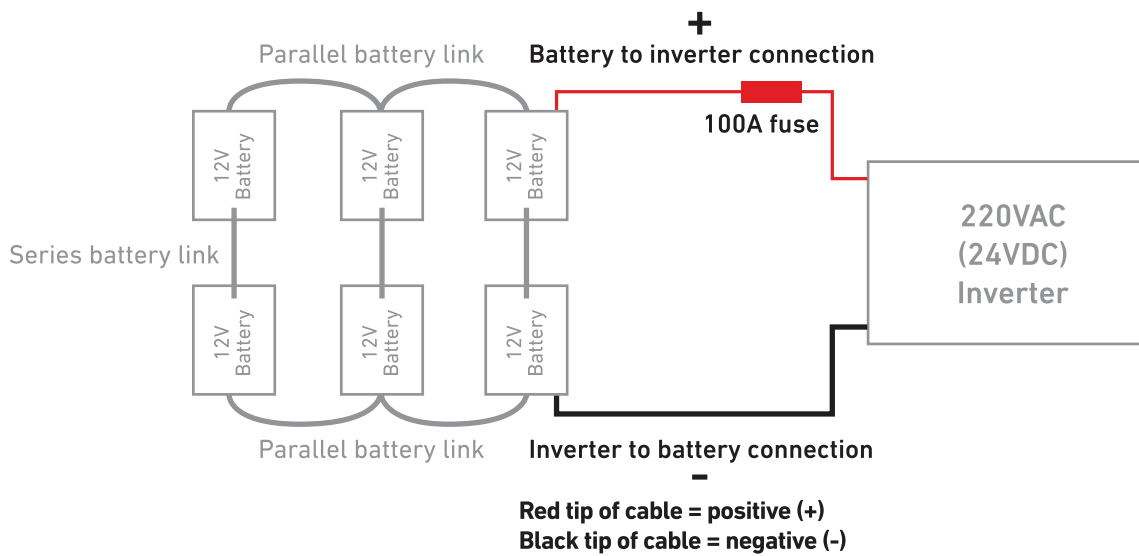


- Use with 12V/1000W
24V/2000W (Ellies 2000 watt MP inverter)
48V/4000W
- Includes 100A fuse.

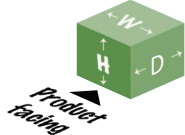
35mm Inverter to Battery Connection Set

35mm² cable to connect inverter to batteries.

Diagram



PACKAGE DIMENSIONS



Height (mm)	Depth (mm)	Width (mm)	Weight (kg)
305	245	60	1.73

THE PACKAGE CONTAINS



1 x 35mm Inverter to Battery Connection Set