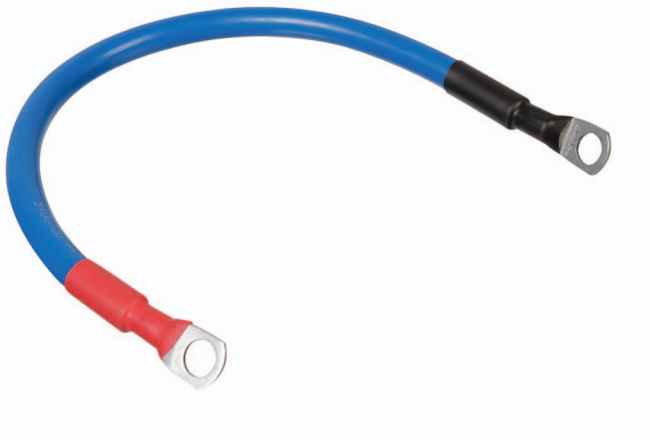


25mm Series Battery Link



Product Code: FSBL25S
Barcode: 6002844076313

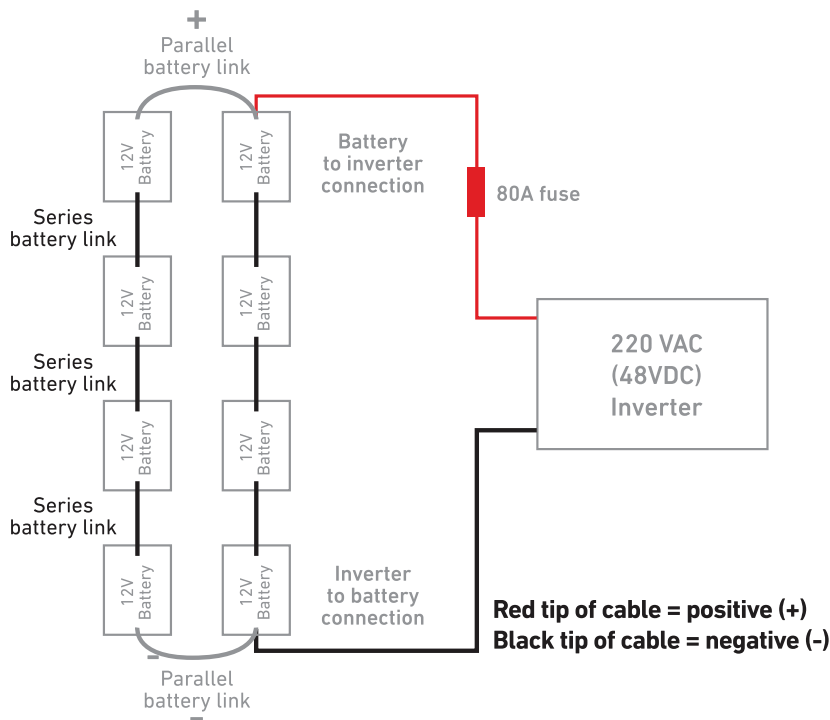


- Length: 0.35m
- Use with: 12V/750W
24V/1500W
48V/3000W (Ellies 3000 watt MP inverter.)

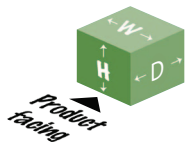
25mm Series Battery Link

25mm² cable to connect batteries in series.

Diagram



PACKAGE DIMENSIONS



Height (mm)	Depth (mm)	Width (mm)	Weight (kg)
230	180	50	0.16

THE PACKAGE CONTAINS



1 x 25mm Series Battery Link