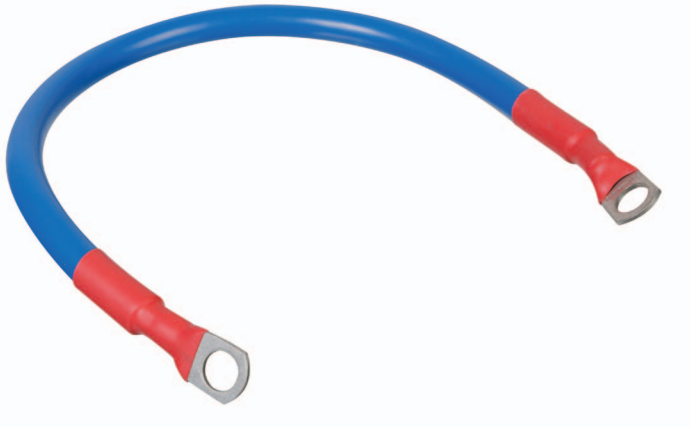


25mm Parallel Battery Link - Positive



Product Code: FSBL25PP

Barcode: 6002844076290

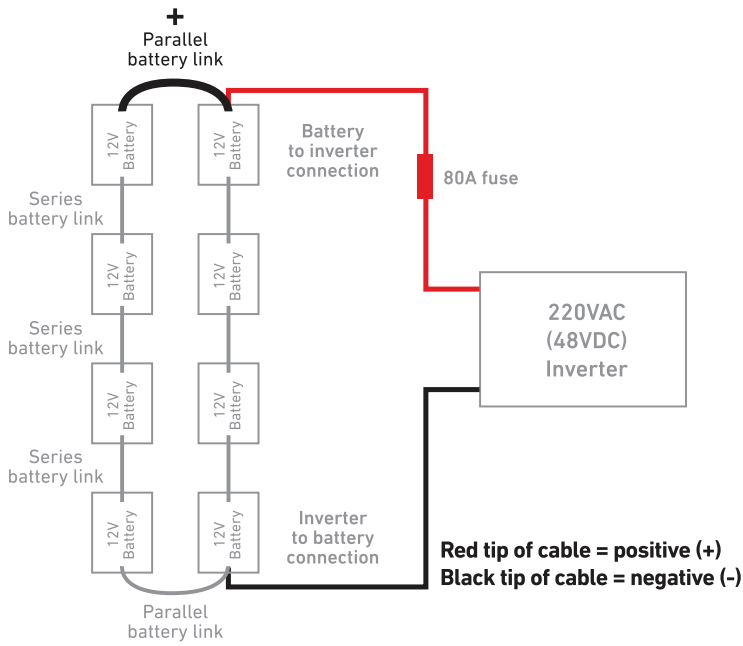


- Length: 0.35m
- Use with 12V/750W
24V/1500W
48V/3000W (Ellies 3000 watt MP inverter.)

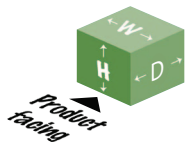
25mm Parallel Battery Link - Positive

25mm² cable to connect batteries in parallel.

Diagram



PACKAGE DIMENSIONS



Height (mm)	Depth (mm)	Width (mm)	Weight (kg)
230	185	50	0.18

THE PACKAGE CONTAINS



1 x 25mm Parallel Battery Link - Positive