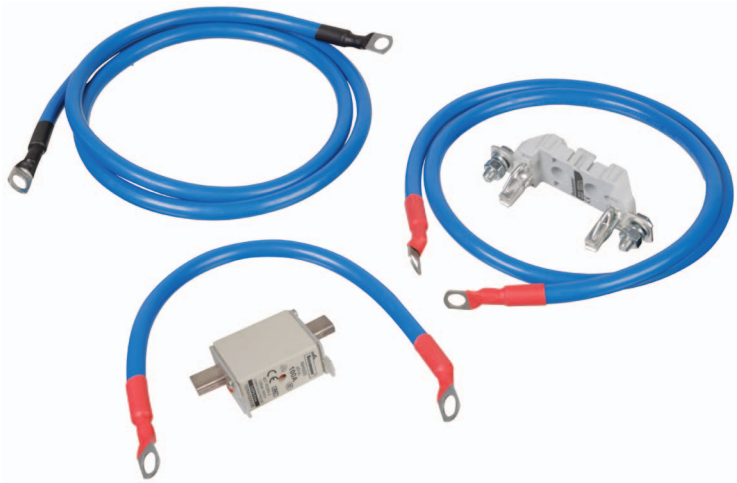


25mm Inverter to Battery Connection Set



Product Code: FSBL25I
Barcode: 6002844076320

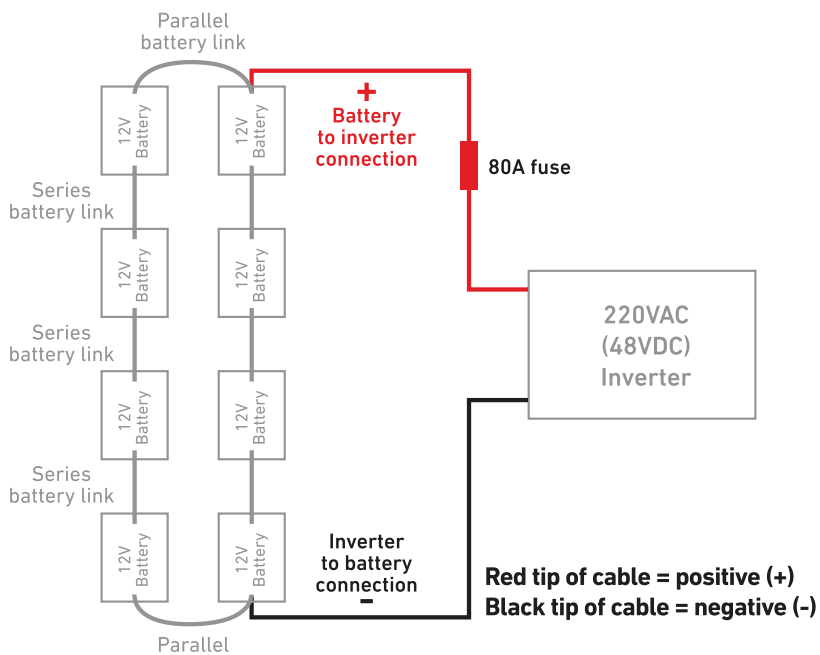


- Includes 80A fuse.
- Use with 12V/750W
24V/1500W
48V/3000W (Ellies 3000 watt MP inverter)

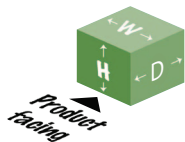
25mm Inverter to Battery Connection Set

25mm² cable to connect inverter to batteries.

Diagram



PACKAGE DIMENSIONS



Height (mm)	Depth (mm)	Width (mm)	Weight (kg)
310	250	60	1.28

THE PACKAGE CONTAINS



1 x 25mm Inverter to Battery Connection Set