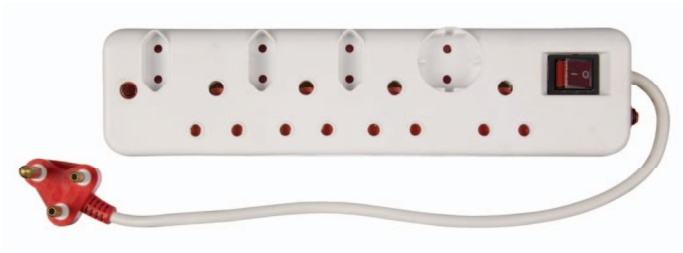


8-Way Multi-Plug with Medium Surge Protection

16A Max. 250V ~



Product Code: FELP41S
Barcode: 6002844035051



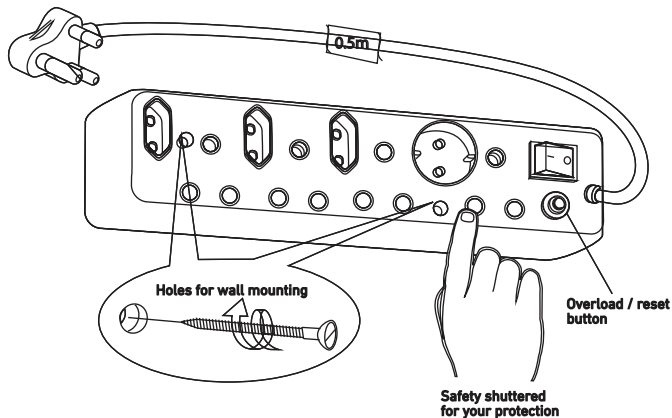
- Safety shuttered for your protection
- Reset button
- Indicator Light
- Illuminated "on/off" switch
- Surge protected for up to 8 appliances including a convenient Shucko socket
- Conforms to all South African National Standards

8-Way Multi-Plug with Medium Surge Protection

This medium surge protected 8-way Multi –plug has 3 Euro slots, 1 Schuko socket and 4 x 3 pin sockets. It converts your single plug point into multiple sockets. The extension cord allows you to extend your reach by 0.5m.

What is a Surge?

A surge is an abnormal but temporary high voltage on the electrical mains caused by non-direct lightning strikes or from noise possibly produced by the use of heavy duty appliances, heavy duty machinery or large power tools. Don't risk losing your valuable equipment through surges, protect them with the Surge Safe Adaptor.



TECHNICAL INFORMATION

Specifications:

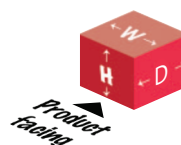
Colour:	White
Voltage:	250V
Amps:	16A
Cord length:	0.5m
Max connected load:	3600W
Max total combined surge current:	16 000A
Max total combined surge energy:	458J
Protection component response time:	<25nS
Cable rating:	3G1.0mm

PACKAGE CONTENTS



1 x 16A 8-Way Multi-Plug with Surge Protection Unit

PACKAGE DIMENSIONS



Height (mm)	Depth (mm)	Width (mm)	Weight (kg)
475	165	65	0.4