

# Industrial Mixer Amplifier



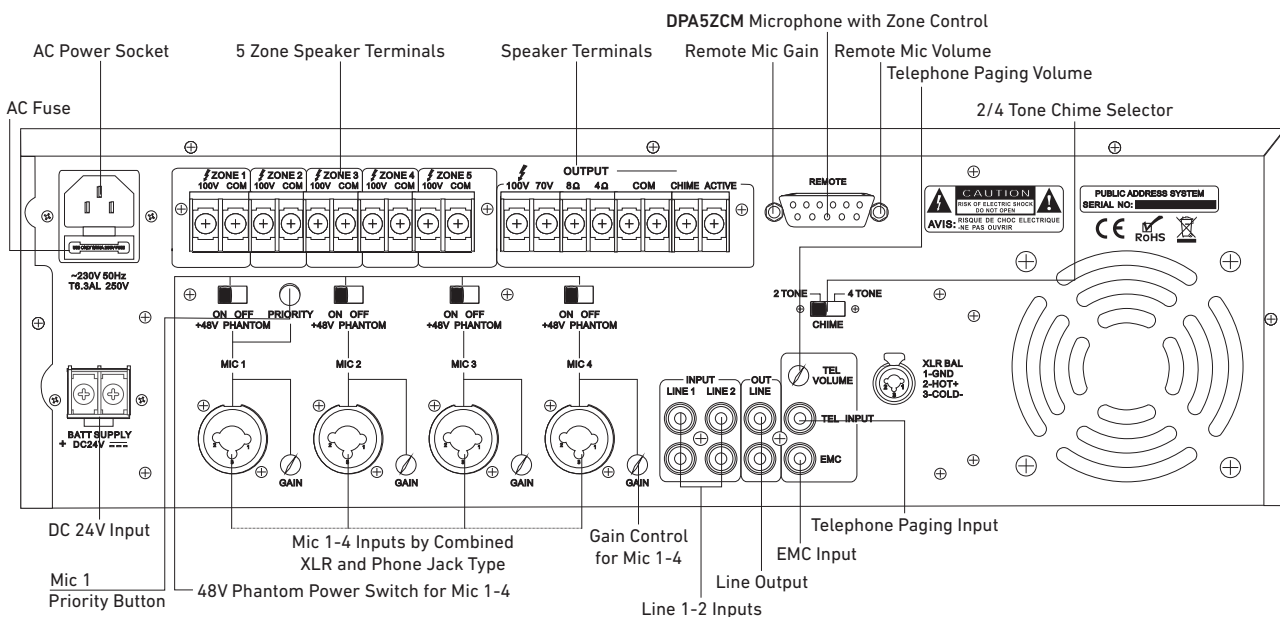
Product Code: DPA3505  
Barcode: 6002844001391

## TECHNICAL INFORMATION

### Specifications:

Amplifier Section (4 ohms Load Output) Mic Input Section (Mic 1~4 In@1KHz)	Rated Output Power (THD 1%)	350 (RMS) (Peak Power 525W)
	Speaker Zone 1~5 Output 25W	70W (RMS) (Peak Power 105W)
	Input Sensitivity/Impedance	5mV 600ohms - 245mV 5K ohms BAL
	S/N Ratio	Better than 55dB
	Frequency Response (-3dB)	50Hz~16KHz
	Tone Control (Bass: 100Hz, Treble: 10KHz)	-10dB
Line Input Section (Mic 1~2 In@1KHz)	Phantom Power	+48V
	Input Sensitivity/Impedance	350mV/47K ohms
	S/N	Better than 65dB
Tel Audio Input	Frequency Response (-3dB)	50Hz~16KHz
	Input Sensitivity/Impedance	0.775V/10K ohms
	S/N	Better than 65dB
EMC Audio Input	Frequency Response (-3dB)	50Hz~16KHz
	Input Sensitivity/Impedance	0.775V/10K ohms
	S/N	Better than 65dB
Pre Amp Out (Mic 1~4, Line 1~2, Tel In, Remote In)	Frequency Response (-3dB)	50Hz~16KHz
	Input Sensitivity/Impedance	1V/600 ohms
Remote MIC Sensitivity/Impedance		775mV/10K ohms
THD		Less than 0.1% at 1KHz, 1/3 rated power
Power Supply		~110V/60Hz or ~ 230V/50Hz & DC 24V
Power Consumption		500W
Weight		22.4Kg
Dimensions		484x399x132mm

## Rear Panel



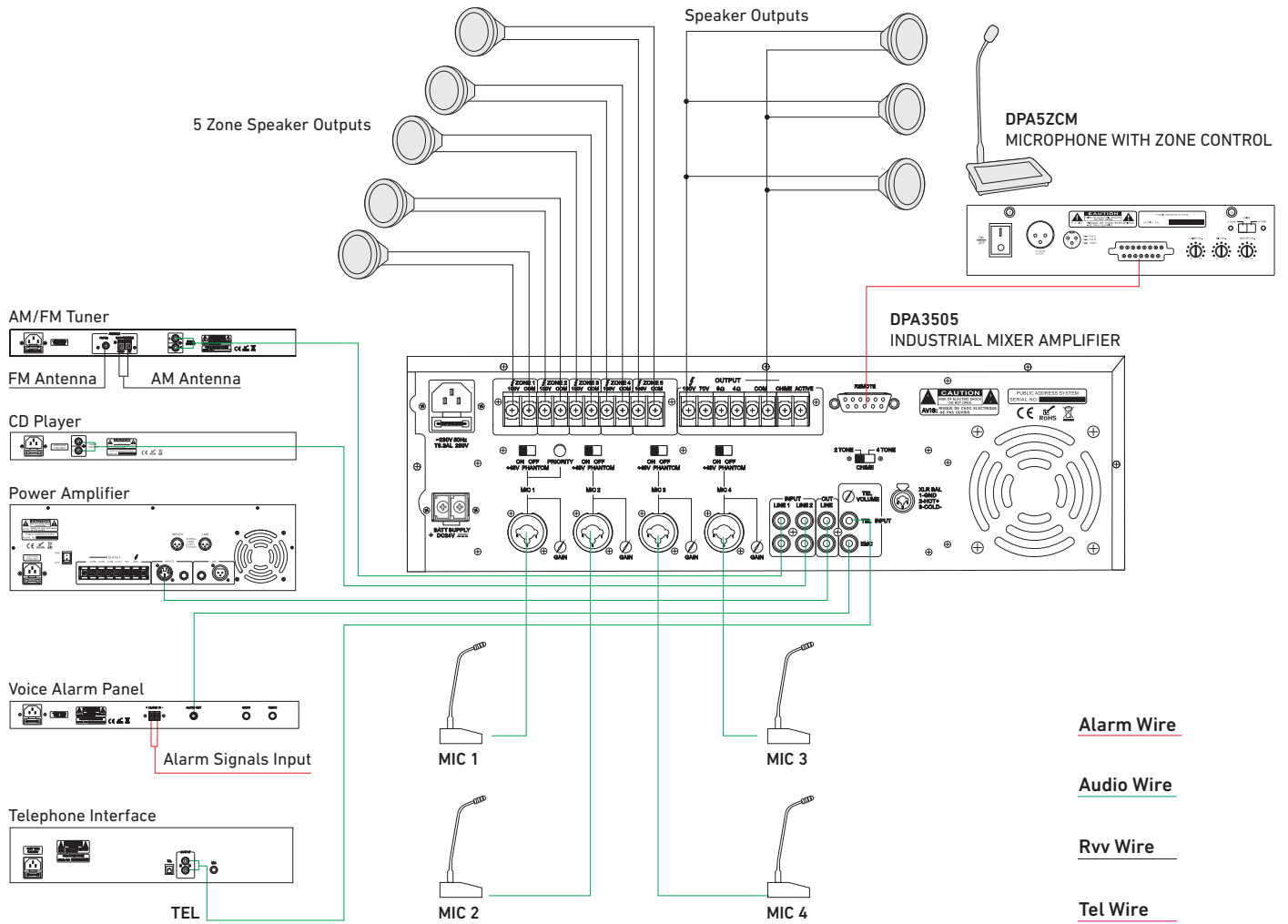
# Industrial Mixer Amplifier



Product Code: DPA3505

Barcode: 6002844001391

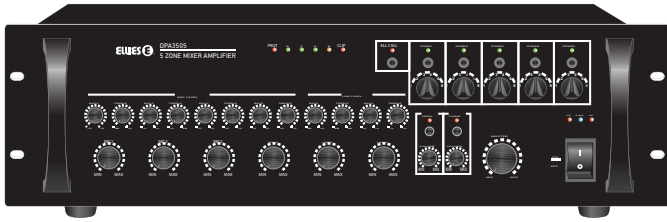
## Connections



# Industrial Mixer Amplifier



Product Code: **DPA3505**  
Barcode: **6002844001391**



- 7 Inputs 5 zone mixer amplifier
- Rack mount amplifier in 3U type
- Rated power output 350W
- 70V, 100V and 4-16ohm speaker terminals
- 5 Zone 100V outputs on all zones outputs
- 4 Balanced combined mic inputs with 1/4" phone jack and XLR with separate gain control and phantom power switch
- 2 Dual RCA line inputs, TEL and EMC input
- Each speaker zone output with separate volume control
- Built-in siren, 2/4 tone chime selector and chime remote trigger
- Volume control over master, Mic1-4, Line1-2, chime, siren, all zone output and each of the 5 zone outputs, tel input and remote paging mic
- 5 Levels of input priority from high to low: EMC input, tel input, remote paging console, Mic1, siren/chime over other inputs
- REC output for tape recorder and PRE output
- AMP input for extra signal processor i.e mixer, graphic equalizer
- Short circuit and thermal protection
- AC 110V or 220V and DC 24V operation

## THE PACKAGE CONTAINS



1 x Industrial Mixer Amplifier  
1 x Mains Cable