

Industrial Mixer Amplifier



Product Code: **DPA240B**
Barcode: 6002844001940



- Mixer amplifier for paging and background music system
- Rated power from 60W, 120W, 240W, 350W, 500W to 650W
- 2U rack mount (less than 350W) and 3U rack mount design
- 70V, 100V and low impedance 4-16 ohms speaker output
- Three balanced Mic input
- Mic 1 (phone jack) with VOX priority and VOX level on front panel
- Mic 2-3 with XLR on rear panel with phantom power
- Two Aux inputs and 2 line inputs for spare use
- One EMC priority input
- EMC has priority over all inputs except MIC1
- Mic 1-3, Aux 1-2 and master volume control and bass/treble tone control
- Short circuit, overload and high temp protection

TECHNICAL INFORMATION

Specifications:	
Rated Power Output (RMS)	240W (Peak Power 360W)
Speaker Outputs	70V, 100V & 4~16 ohms
Input Sensitivity & Impedance	Mic 1, 2, 3: 5mV/600 ohms, Unbalanced phone jack input Mic 2, 3: -2.5mV/2K ohms Balanced XLR input Mic 2, 3: 775mV/10K ohms Unbalanced RCA input AUX 1, 2: 350mV/10K ohms Unbalanced RCA input EMC: 775mV/10K ohms, Unbalanced RCA input
Output Sensitivity & Impedance	MIX OUT: 1V/470 ohms, Unbalanced RCA output
Tone	Bass: -10dB at 100Hz Treble: -10dB at 100Hz
Frequency Response	50Hz~16KHz (+1dB, -3dB)
S/N Ratio	MIC 1, 2, 3: 66dB, AUX 1, 2: 80dB
THD	Less than 0.5% at 1KHz, 1/3 rated power
Muting Function	MIC 1 overrides other input signals with 0 - 30dB attenuation
Gain Control	-2.5mV ~ -75mV at 30dB
Crosstalk	-50dB
Phantom Power	+48V, with LED indicator
Cooling	Fan automatically starts up when temp reaches 55°C
Protection	High temp, overload & short-circuit
Power Supply	~110V/60Hz or ~230V/50Hz or DC 24V
Power Consumption	400W
Weight	16.8Kg
Dimensions	484x385x88mm
Finish	Panel: aluminum plate, black Case: steel plate, black

Optional

- DC 24V available on less than 500W models
- Panel with/without handhold
- Faults monitoring module, it can output short circuit signal to achieve main/spare amplifier switch

THE PACKAGE CONTAINS

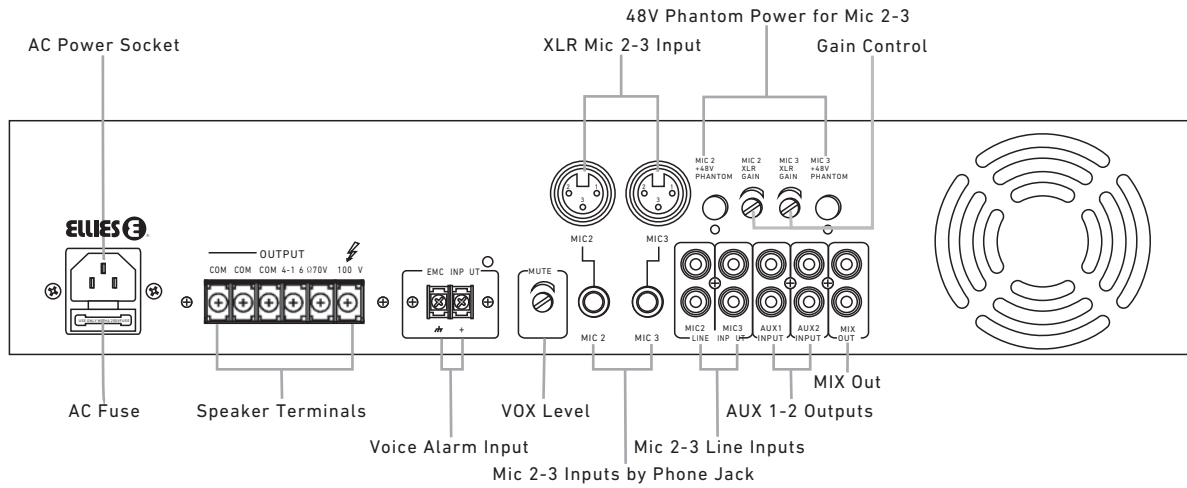
- 1 x Industrial Mixer Amplifier
- 1 x Mains Cable

Industrial Mixer Amplifier



Product Code: DPA240B
Barcode: 6002844001940

Rear Panel



Connections

